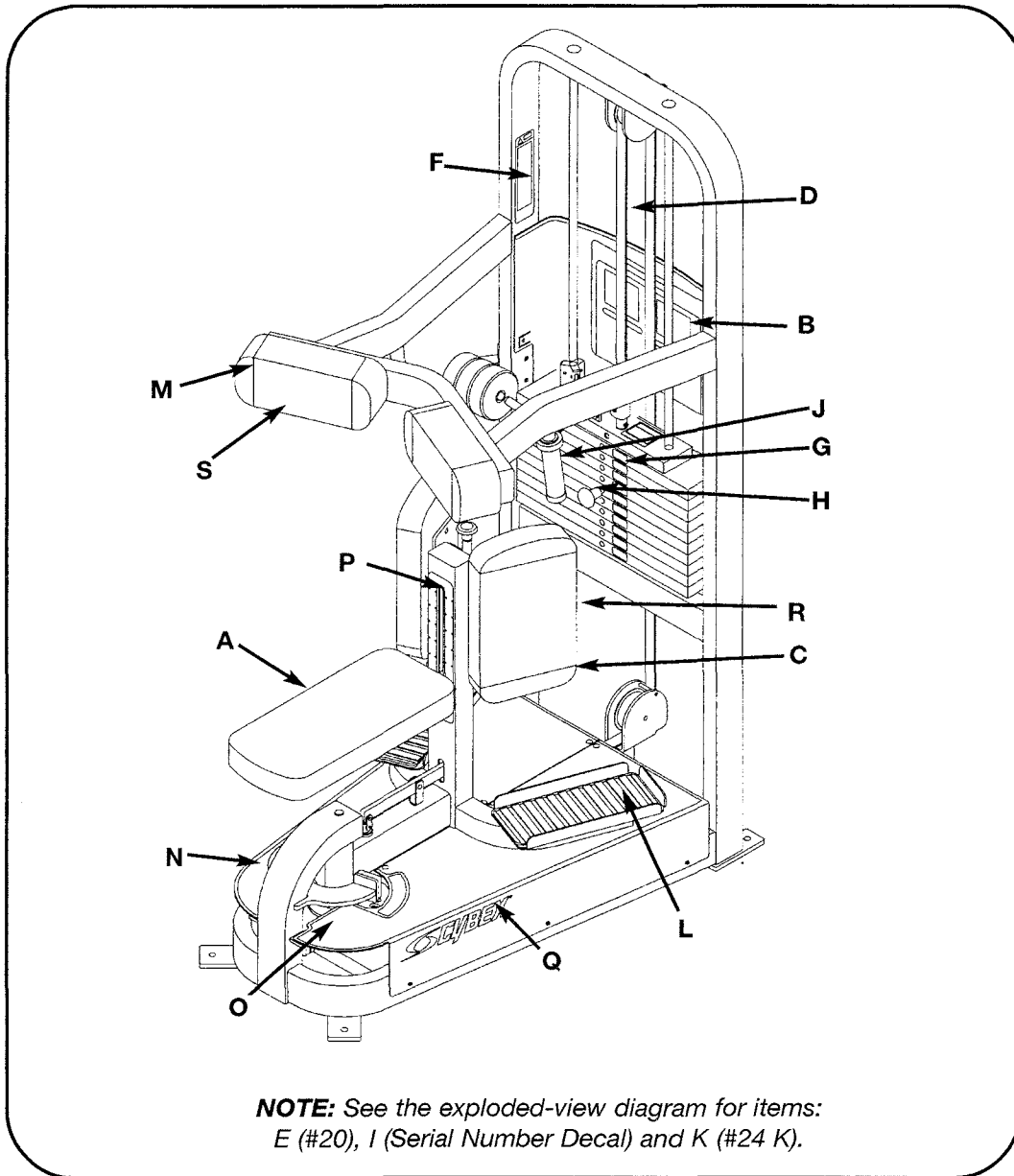


# TORSO ROTATION

PRODUCT NO. 4715

PARTS LIST

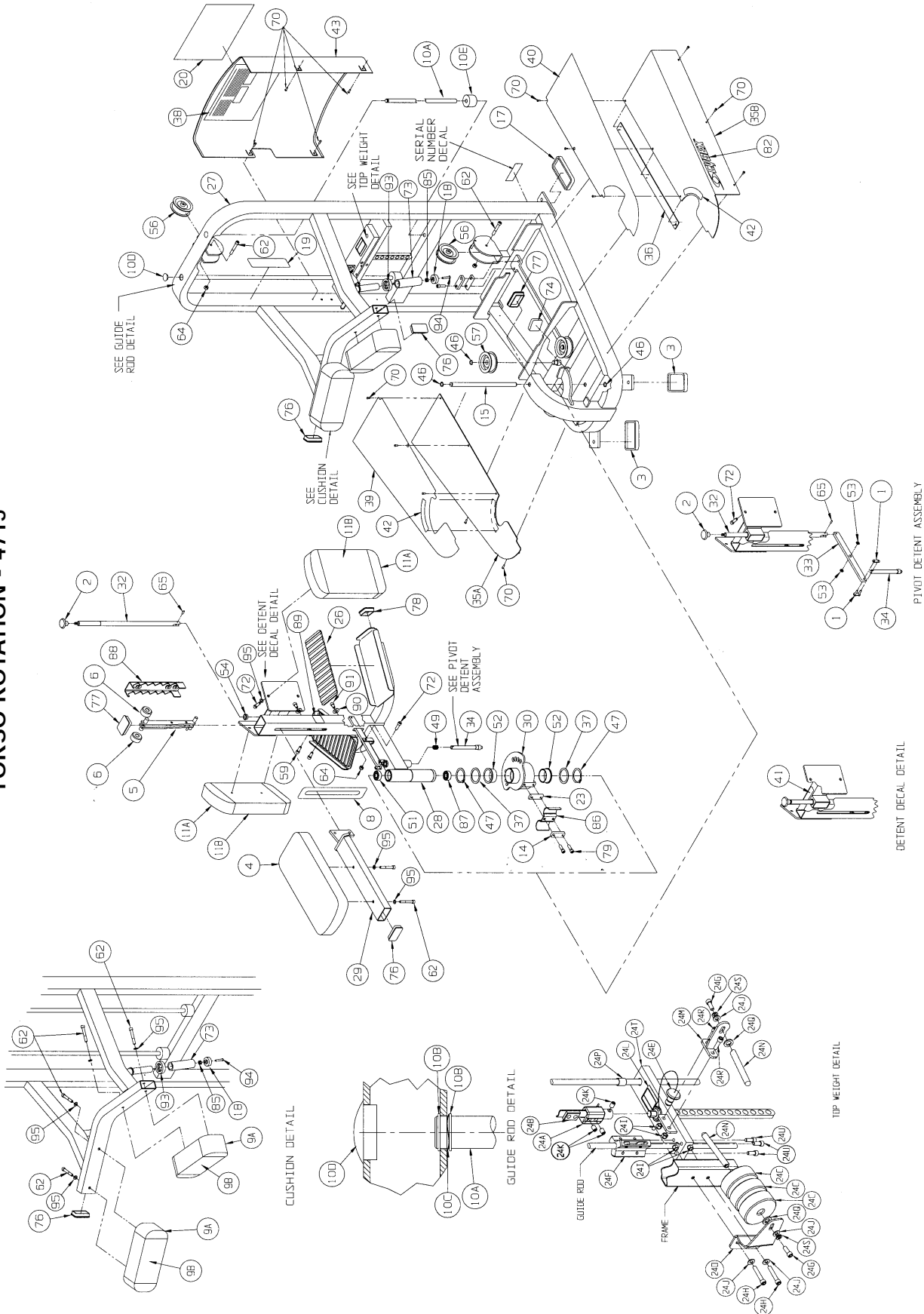


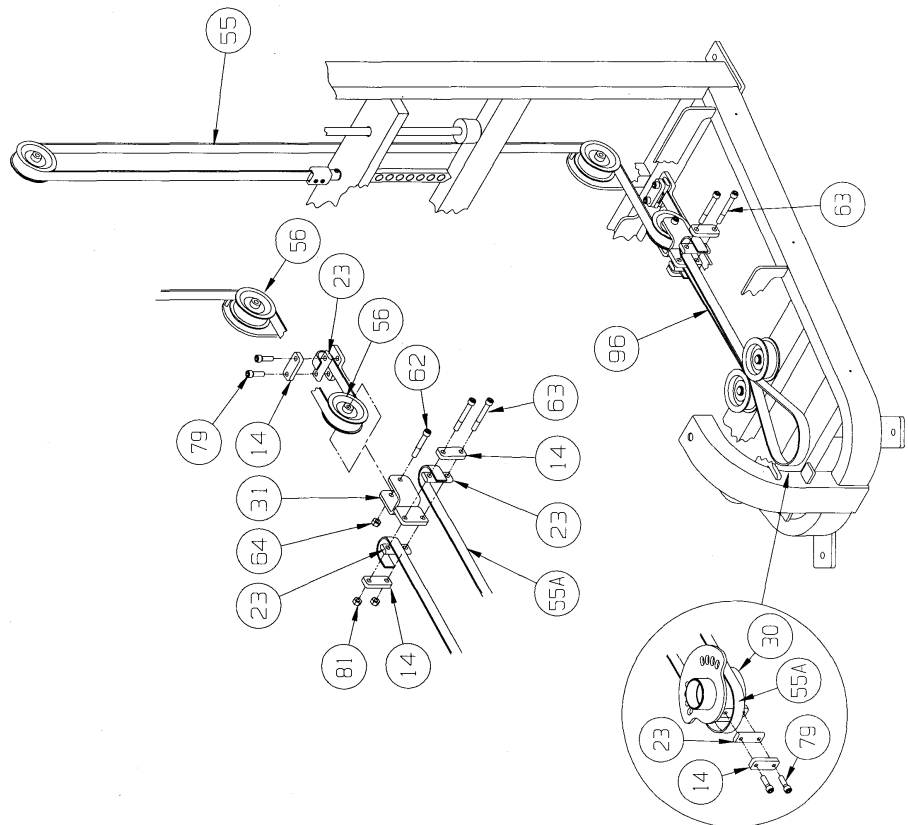
DESCRIPTION	PART NO.	DESCRIPTION	PART NO.
A. Seat Cushion.....	4800-024	K. Caution Decal.....	4605-424
B. Placard Decal.....	4715-338	L. Non-Slip .....	4710-321
C. Knee Cushion.....	4800-018	M. Chest Pad .....	4800-023
D. Belt 115" Long .....	GB000202	N. Non-Slip (Left Hand) .....	4715-339
E. Cybex Decal Blk/Plm ....	3900-391	O. Non-Slip (Right Hand) ...	4715-340
E. Cybex Decal Wht/Wht ..	3900-419	P. Seat Adjustment Decal .	5221-316
F. Warning Decal .....	4605-381	Q. Cybex Decal Blk/Plm ....	3900-390
G. Weight Plate Decal .....	4605-388	Q. Cybex Decal Wht/Wht ..	3900-415
H. Weight Selector Pin.....	BH030207	R. Wear Cover (Item C).....	4800-090
I. Serial Number Decal		S. Wear Cover (Item M) .....	4800-095
J. Grip .....	4605-510	T. Caution Decal.....	4520-362

### 4715 - Torso Rotation

ITEM	QTY	PART NO.	DESCRIPTION	ITEM	QTY	PART NO.	DESCRIPTION
1	1	01989	Single Connecting Link	35 A	1	4715-333	Left Guard
2	1	11040-440	Cybex Knob	35 B	1	4715-334	Right Guard
3	2	PR070001	Foot Pad 2.50 x 4.25	36	1	4715-335	Bar
4	1	4800-024	Seat Cushion	37	2	4715-336	Washer
5	1	4520-212	Seat Roller	38	1	4715-338	Placard Decal
6	2	4520-331	Roller	39	1	4715-339	Non-Slip (Left Hand)
7			Removed	40	1	4715-340	Non-Slip (Right Hand)
8	1	5221-316	Adjustable Seat Decal	41	1	4715-341	Detent Decal
9 A	2	4800-023	Chest Cushion w/Wear Cover	42	1	4715-342	Pivot Location Decal
9 B	2	4800-095	Wear Cover	43	1	4505-432	Guard
10	1	4701-021	Weight Stack Guide Rod Set	44			Not Used
10 A	2	4505-319	Weight Stack Guide Rod	45			Not Used
10 B	4	BR030214	Retaining Ring .625	46	4	BR030210	Retaining Ring 17 mm
10 C	2	HS407100	Spring Washer .65 x .79 x .062 T	47	2	BR030213	Retaining Ring 2.00 External
10 D	2	PN660200	Plastic Insert 1.00 Dia x 11 G	48			Not Used
10 E	2	PR060005	Weight Bumper	49	1	4715-346	Com Spring .72 x 1.50 L
11 A	2	4800-018	Knee Cushion w/Wear Cover	50			Removed 8/98
11 B	2	4800-090	Wear Cover	51	1	FB030232	Radial Brg 17 mm ID (Ext Race)
12			Not Used	52	2	FB130206	Flange Brg 2.00 x 2.25 x 1.00 L
13			Removed	53	2	FB130209	Flange Brg .375 x .50 x .125 L
14	4	4605-300	Belt Clamp	54	1	FB130210	Nyliner Bearing
15	1	4715-352	Pivot Shaft 13.505	55	115"	GB000202	Weight Stack Belt .95" Wide
16			Not Used	56	3	GP000209	Pulley Assembly 3.50
17	2	PR070003	Foot Pad 2.00 x 5.25	57	2	GP000212	Pulley Assembly 3.50
18	2	4605-550	Plug	58			Removed
19	1	4605-381	Warning Decal	59	2	HC702817	SHCS .375-16 x 1.00
20			Removed 3/03	60			Removed
20	1	3900-391	Cybex Decal 11.37 Vert. Blk/Plm	61			Removed 8/98
20	1	3900-419	Cybex Decal 11.37 Vert. Wht/Wht	62	7	HC702830	SHCS .375-16 x 2.50
21	1	4605-388	Weight Plate Decal 10-290	63	2	HC702834	SHCS .375-16 x 3.00
22			Not Used	64	6	HN704901	Nylon Locknut .375-16
23	4	4605-394	Belt Clamp	65	1	HP286715	Roll Pin .188 x .75
24	1	4701-030	Sliding Increment Weight Set	66			Removed
24 A	1	11040-216	Belt Clamp	67			Not Used
24 B	1	11040-301	Belt Clamp Insert	68			Not Used
24 C	3	4605-390	Increment Weight	69			Not Used
24 D			Removed 3/03	70	16	HT102214	Tap Screw #10-12 x .625 A (Phil)
24 E	1	BH030207	Weight Selector Pin	71			Removed 8/98
24 F	1	4701-001	Top Weight Guide	72	5	JC702820	SHCS .375-16 x 1.25
24 G	2	HC702817	SHCS .375-16 x 1.00	73	2	4605-510	Grip 4.75 Long
24 H	2	HC702828	SHCS .375-16 x 2.25	74	2	PU060204	Bumper
24 I	4	HN704901	Nylon Locknut .375-16	75			Not Used
24 J	4	HS347600	Washer, SAE .375	76	3	PP090202	Plastic Insert 1.5 x 3.0 x 11 G
24 K	3	HY740000	Set Screw	77	2	PP090206	Plastic Insert
24 L	1	4605-424	Caution Decal	78	2	PP090210	Plastic Insert 2.00 sq x 10-14 G
24 M	1	4700-240	Weight Mount	79	4	HC702822	SHCS .375-16 x 1.50
24 N	2	4700-318	Increment Weight Rod	80			Not Used
24 O	1	4700-319	Frame Mount Increment Weight	81	4	HN784000	Hex Nut .500-13
24 P	1	FB130208	Bearing Sleeve .68 x .81 1.00 L	82			Removed 3/03
24 Q	2	4700-321	Rubber Washer	82	1	3900-390	Cybex Decal 1.57 Horiz. Blk/Plm
24 R	2	JC702820	SHCS .375-16 x 1.25	82	1	3900-415	Cybex Decal 1.57 Horiz. Wht/Wht
24 S	2	HS348300	Split Lockwasher .375	83	1	4701-302	VR2 Weight Stack Instr. (not shown)
24 T	1	4700-239	Top Weight	84	1	51198	Strength Warranty Sheet (not shown)
24 U	3	HC702816	SHCS .375-16 x .875	85	2	HF449063	Tube Insert
25			Removed	86	1	4715-358	Belt Guide
26	2	4710-321	Non-Slip	87	1	FB030240	Bearing Tapered Roller
27	1	4715-200	Frame	88	1	4520-213	Bracket
28	1	4715-201	Pivot	89	1	4520-362	Caution Decal
29	1	4715-202	Seat	90	2	HS347700	Washer USS .375
30	1	4715-203	Cam	91	2	JC700412	BHSCS .375-16 x .50
31	1	4715-204	Pulley Bracket	92	9	4000C101	Stack Weight 4 x 18 (not shown)
32	1	4715-324	Rod	93	2	11090-376	Handle Grip Ring
33	1	4715-325	Linkage Bar	94	2	JC620422	BHSCS .250-20 x 1.50
34	1	4715-345	Detent Pin	95	4	JS347400	Internal Tooth Lockwasher
35	1	4715-333S	Guard Set	96	1	4715-372	Belt .965 Wide Steel Cord x 54"

# TORSO ROTATION - 4715





BELT ROUTING DETAIL